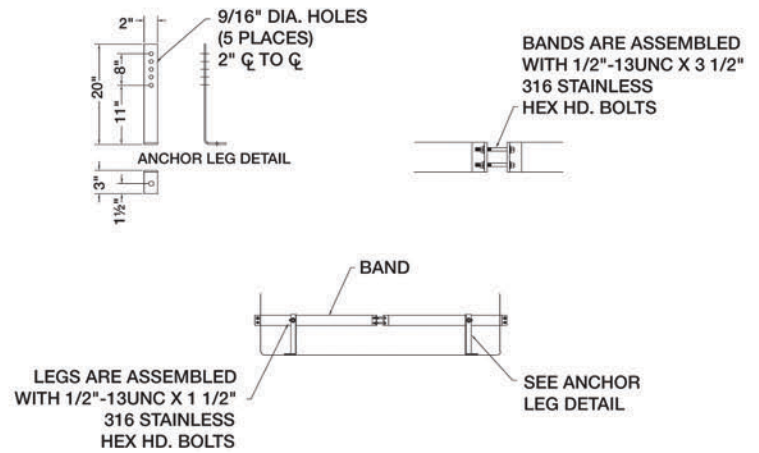


# Passive Restraint Assemblies

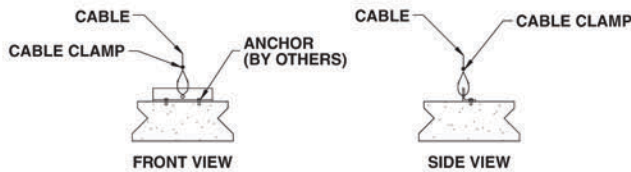
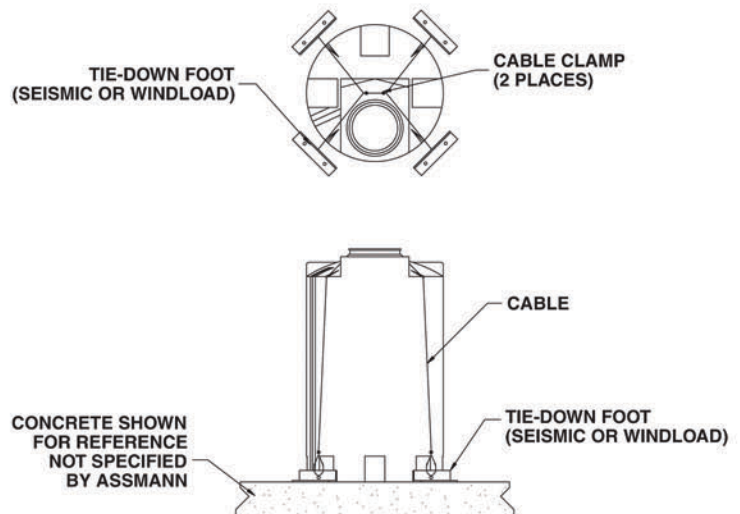
Vertical Tank Passive Restraint (Band Type)		
Tie Down Number	Tank Diameter (inches)	Number of Legs & Bands
TDA 35	35	3
TDA 48	48	4
TDA 64	64	4
TDA 69	69	4
TDA 86	86	4
TDA 90	90	4
TDA 96	96	4
TDA 105	105	4
TDA 119	119	6
TDA 143	143	6



## Tie-Down Assemblies

### Seismic Zone 4

Seismic restraint assemblies are designed to handle seismic loads up to and including zone 4. Materials of construction consist of: 316 Stainless Steel or Mild Steel with epoxy coating and galvanized cables.



### 120 MPH Wind Load

Wind load tie down assemblies are capable of handling winds up to and including 120 MPH. Materials of construction consist of: 316 Stainless Steel or Mild Steel with epoxy coating and galvanized cables.

