

# Agitators



Where Innovation Flows

# Direct-Drive Agitators

## MODELS A-2 & A-2-T

The Neptune quality line of standard agitators is excellent for use with most Neptune chemical feed systems in tanks up to 150 gallons (586.8 L)\*, making them an essential accessory for many applications.

### FEATURES AND BENEFITS:

- Motor description: 1/4 HP-1-115-TEFC, 1,725 RPM. Other motors available
- Shaft and propeller: 316SS
- PVC-coated shaft and propeller available
- Available with bracket or clamp mounting



MODEL A-2  
CLAMP MOUNT



MODEL A-2-T  
BRACKET MOUNT



MODEL L-1-CL  
CLAMP MOUNT



MODEL AL-316  
BRACKET MOUNT

## Economy Direct-Drive Agitators

### MODELS AL-316 & L-1-CL

These agitators have been designed with economy as the paramount requirement and are excellent for tanks up to 55 gallons (208.2 L).

### FEATURES AND BENEFITS:

- Motor description: 1/20 HP-1-115-TEFC, 1,550 RPM, with cord
- Shaft and propeller: 316SS
- Epoxy-coated shaft and propeller available
- Available with bracket or clamp mounting

# Specifications

## DIRECT-DRIVE AGITATORS

- Motor description: 1/4 HP-1-115-TEFC, 1,725 RPM
- Shaft and propeller: 316SS
- Shipping weight: 30 lb. (13.6 kg)

## MODEL A-2 CLAMP MOUNT

Use with any tank except top-mount models.\*

## MODEL A-2-T BRACKET MOUNT

Use with any top-mount tank.\*

## ECONOMY DIRECT-DRIVE AGITATORS

- Motor description: 1/20 HP-1-115-TEFC, 1,550 RPM, with cord
- Shaft length: 30" (762 mm)
- Three-blade – 316SS propeller
- Shipping weight: 14 lb. (6.4 kg).

## MODEL L-1-CL CLAMP MOUNT

Use with any 50-gallon (189.3 L) except top-mount models.\*

## MODEL L-1-E CLAMP MOUNT

Identical to Model L-1-CL except shaft and propeller are epoxy coated.

## MODEL AL-316 BRACKET MOUNT

Use with any top-mount tank.\*

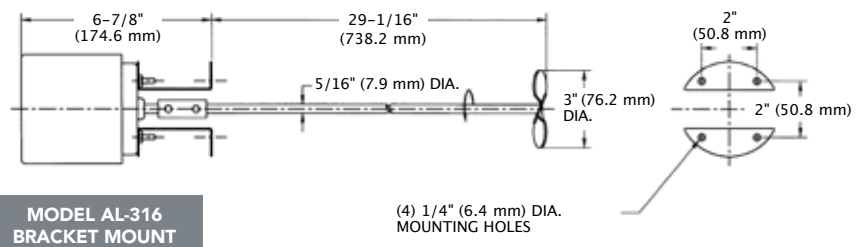
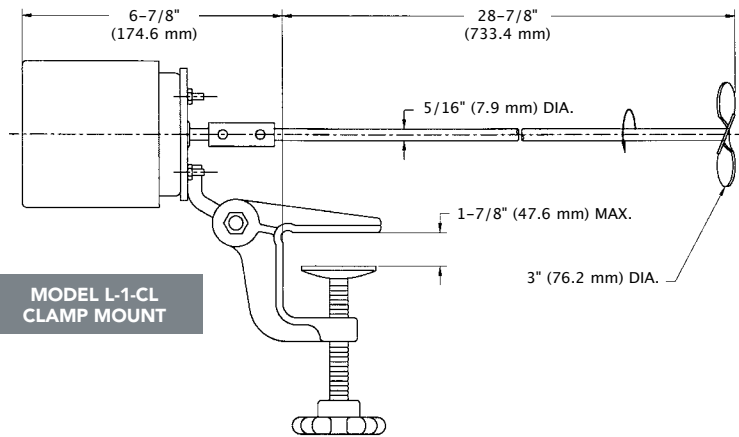
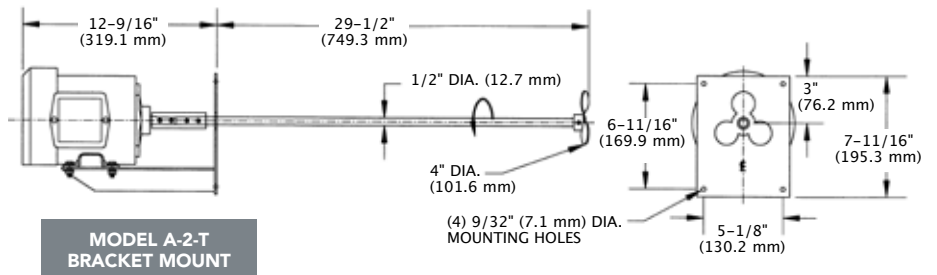
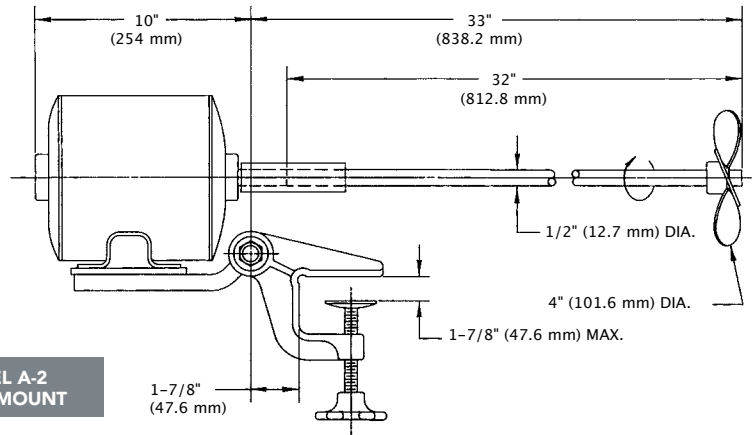
## MODEL AL-E BRACKET MOUNT

Identical to Model AL-316 except shaft and propeller are epoxy coated.

## Refer to Bulletins FDP/CFS & DP-500E for Tanks and Feed Systems

### \* TOP MOUNT TANK MODELS ARE:

- TM 50PT
- TM 50SST-304
- TM 100PT
- TM 100SST-304
- ET-P





PSG  
22069 Van Buren Street  
Grand Terrace  
CA, 92313-5651  
USA  
P: +1 (909) 422-1700  
F: +1 (909) 783-3440  
[psgdover.com/neptune](http://psgdover.com/neptune)



Where Innovation Flows

AGT-19  
NPT-10310-C-01

Authorized PSG® Partner:

Copyright 2019 PSG®, a Dover company