

SDx™ SERIES

SMART DRIVE

EXCHANGEABLE PLATFORM

Advanced powder milling and screening solutions on a common drive



Missouri Filter & Process Equipment Co
MOFILCO-Quality, Value, Service
12025 Manchester Road, Suite 30G
St Louis MO 63131

314-821-4321 www.mofilco.com
mofilco@mofilco.com



SDx™ SERIES

SMART DRIVE EXCHANGEABLE PLATFORM

Unparalleled milling flexibility and improved powder processing efficiency.

The Fitzpatrick Company and Quadro Engineering Corp. are pleased to introduce one of the world's most advanced production-scale milling / screening platforms offering three distinct powder processing solutions on a single, common drive.

The SDx™ Series affords the ability to quickly and easily interchange Fitzpatrick's FitzMill™, Quadro's Comil® and FlexSift Security Screening technologies.

The SDx™ will help you to:

- **Increase production efficiency**
interchangeable heads reduce bottlenecks & increase capacity
- **Optimize particle size distributions (PSDs)**
improve on-target PSDs by 30 - 50% over similar technologies
- **Reduce capital investment & cost of ownership up to 75%**
ability to invest in three processes with a single, common drive
- **Program / control recipes**
enhanced HMI touchscreen controls with upgraded 7.5 HP (5.6 kW) ATEX 2GD marked motor
- **Enhance operator & product safety**
first conical mill & security screener with greaseless gearbox safeguards batches
- **Protect heat-sensitive products during milling**
Patented Select High Efficiency screen designs



TECHNICAL DATA

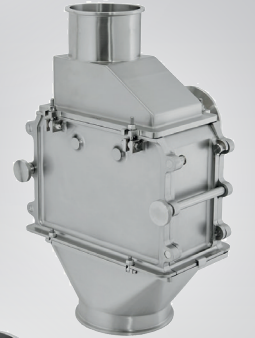
Quadro® U20x Comil®

- Improve Particle Size Distributions (PSDs)
20 - 40% more on-target, an average 50% capacity increase & reduced milling temperatures
- Greaseless Gearbox Technology
50% lower gearbox temperatures & 5 - 10dB noise reduction



Fitzpatrick D6Ax FitzMill™

- Guarantee full cleanability
4 piece chamber assures 100% verification
- The standard for APIs & difficult products
unmatched screen selection (from 50µm)



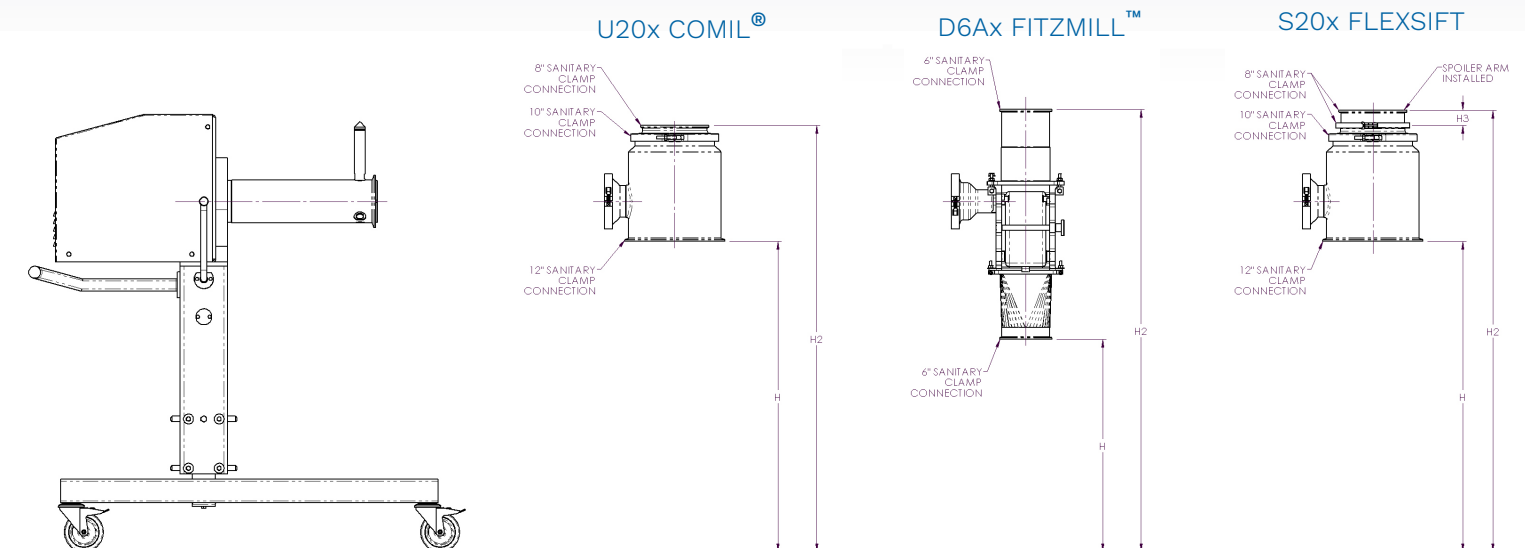
Quadro® S20x FlexSift

- Optimize security screening
one unit can replace 3 - 7 vibratory sifters
- Best-in-class performance
40 - 50% more capacity vs. similar technologies



		U20x	D6Ax	S20x
Typical Pharma Capacities¹	kg / hr	Up to 3000 ¹	Up to 3000 ¹	Up to 20,000 ¹
Power	kW (HP)	5.6 (7.5)	5.6 (7.5)	5.6 (7.5)
Noise	dB	<75	<80	<75
Height to Discharge (H)	mm (in)	990 (39)	678 (27)	990 (39)
Height to Inlet (H2)	mm (in)	1360 (54)	1411 (56)	1409 (55)

¹ Capacity is dependent on product characteristics, final PSD target and equipment set-up. Please contact us for more information.



INNOVATIVE PRODUCTS BACKED BY WORLD-LEADING EXPERTISE AND SUPPORT



The Fitzpatrick Company and Quadro Engineering Corp. have earned the respect of customers for a combined period of over 120 years.

With over 40,000 equipment installations worldwide, discover what underscores our reputation for supplying high quality powder processing equipment solutions. Trust us to fulfill your specific application requirements.

Discover and experience the Fitzpatrick / Quadro difference!

● Headquarters

● IDEX MPT Centers of Excellence

Representation in over 80 countries worldwide

The Fitzpatrick Company
Tel: +1.519.884.9660
Email: fitzinfo@idexcorp.com
www.fitzpatrick-mpt.com

Quadro Engineering Corp.
Tel: +1.519.884.9660
Email: quadrosales@idexcorp.com
www.quadro-mpt.com



Missouri Filter & Process Equipment Co
MOFILCO-Quality, Value, Service
12025 Manchester Road, Suite 30G
St Louis MO 63131

314-821-4321 www.mofilco.com
mofilco@mofilco.com

613 Colby Drive
Waterloo, ON, Canada

SDx Series 2/24



Fitzpatrick | Matcon | Microfluidics | Quadro | Steridose