

Bromine Feeders



Where Innovation Flows



Neptune™ Bromine/By-Pass Feeders are a convenient and efficient way to properly feed solid biocides or other corrosive water treatment chemicals.

These units easily handle ball, stick, tablet and other forms of bromine. Vinylester resin body tanks are superior to standard steel by-pass feeders for shot feeding corrosive chemicals.

FEATURES AND BENEFITS

- Feed rates from 2-1/2 to 230 lb. (1.1 to 104 kg) per day
- Bottom inlet and drain connection
- Top opening with threaded, gasketed closure
- Rated up to 150 psi at 150° F (10.3 bar at 66°C)

OPTIONS

- PVC piping kit (includes strainers and all required fittings)
- Flow indicators in four ranges
- Pressure Relief Valves and Solenoid Valves



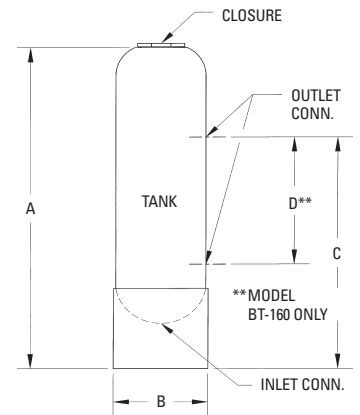
Bromine Feeders Specifications

TANKS

Vinylester resin bodies have two threaded side connections, one threaded bottom connection and one 2-1/2" or 4" top opening with threaded gasketted closure. Tanks rated to 150 psi at 150° F (10.3 bar at 66°C). (Note: Model BT-420, 120°F (48.9°C) max.)

MODEL	CAPACITY			DIMENSIONS INCHES (MM)				CLOSURE IN. (MM)	INLET CONN. NPT	OUTLET CONN. NPT
	LB. (KG)	FT. ³ (M ³)	GAL. (L)	A	B	C	D			
BT-40	40 (18.1)	0.6 (0.18)	4.8 (18.2)	36 (914)	7 (177.8)	15-1/2 (394)	N/A	2-1/2 (63)	3/4	3/4
BT-42	42 (19)	0.7 (0.2)	5.1 (19.3)	26 (660)	10 (254)	15 (381)	N/A	4 (102)	3/4	3/4
BT-80	80 (36.3)	1.4 (0.4)	10.4 (39.4)	42 (1,067)	10 (254)	26 (660)	N/A	4 (102)	1	1
BT-160	160 (72.6)	3.1 (1)	23.4 (88.6)	55 (1,397)	12 (304.8)	46-1/4 (1,175)	20 (508)	4 (102)	1	1
BT-420	310 (140.6)	6.1 (1.9)	45.3 (171.5)	49 (1,245)	22 (558.8)	N/A	N/A	4 (102)*	4	CLOSURE*

*4" (102 mm) : Closure with 1" NPT connection for piping.

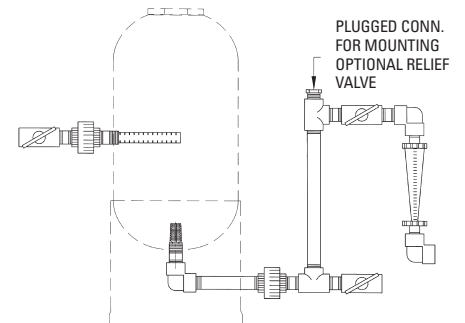


ALL MODELS EXCEPT BT-420 WHICH HAS OUTLET THROUGH TOP CLOSURE

PIPING KITS

PVC threaded fittings for operation to 120 psi at 100°F (8.3 bar at 37.8°C). Each kit contains: two strainers, three ball valves, two tees, two 90° elbows, required nipples and plugs.

MODEL	DESCRIPTION	USE WITH
BP-75	3/4" (19 mm) NPT Piping Kit includes bushings to adapt 1/2" & 3/4" flow indicators	3/4" NPT
BP-100	1" (25 mm) NPT Piping Kit includes bushings to adapt 3/4" & 1" flow indicators	3/4" NPT
BP-120	1" (25 mm) NPT Piping Kit includes bushings to adapt 3/4" & 1" flow indicators	1" NPT



RELIEF VALVE

Specify RV-BR for 1/2" (12.7 mm) PVC safety relief valve (required for bromine service). Set at 50 psi (10.3 bar). Includes elbow, adapter, hose clamp and 4' (1.2 m) of tubing to pipe relief outlet away from unit.



CALCULATED DELIVERY RATES

MODEL	CAPACITY LB. (KG)	FLOW RANGE GPM (L/MIN)	LOWER OUTLET		UPPER OUTLET	
			FEED RATE ¹ LB./DAY (KG/DAY)	RESERVE CAPACITY ² LB. (KG.)	FEED RATE ¹ LB./DAY (KG/DAY)	RESERVE CAPACITY ² LB. (KG.)
BT-40	40 (18.1)	1-10 (3.8-37.8)	N/A	N/A	6-12 (2.8-5.5)	27 (12.3)
BT-42	42 (19)	1-10 (3.8-37.8)	N/A	N/A	7-11 (3.2-5.0)	25 (11.3)
BT-80	80 (36.3)	1-10 (3.8-37.8) 5-21 (18.9-79.5)	N/A	N/A	26-36 (11.8-16.3) 30-49 (13.6-22.2)	34 (15.4)
BT-160	160 (72.6)	1-10 (3.8-37.8) 5-21 (18.9-79.5)	36-47 (16.3-21.3) 41-60 (18.6-27.2)	93 (42.2)	71-94(32.2-42.6) 82-120 (37.2-54.4)	26 (11.8)
BT-420	310 (140.6)	20-120 (75.7-454.3)	N/A	N/A	75-220 (34.0-99.8)	N/A

¹These rates based on Dantobrom[®] manufactured by Lonza Inc. and water at 70°F (21°C).

²This represents amount of product above the outlet fitting.

Feed rates will be reduced when using less soluble compounds. Feed rates will vary with water temperature.

FLOW INDICATORS

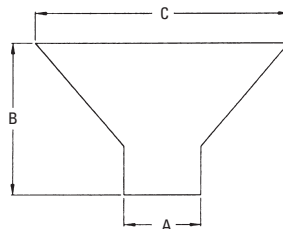
5% accuracy, Polysulfone and CPVC with 316SS float. Male pipe connections. Rated to 150 psi at 120°F(10.3 bar at 48.9°C).

MODEL	RANGE GPM (L/M)	CONN. IN. (MM)	USE WITH
FI-2	0.2-2 (0.8-7.8)	1/2 (12.7)	BT-40, BT-42
FI-5	0.5-5 (1.9-18.9)	1/2 (12.7)	BT-40, BT-42
FI-10	1-10 (3.8-37.9)	3/4 (19.1)	BT-42 through BT-420
FI-20	5-21 (18.9-79.5)	1 (25.4)	BT-160 or BT-420

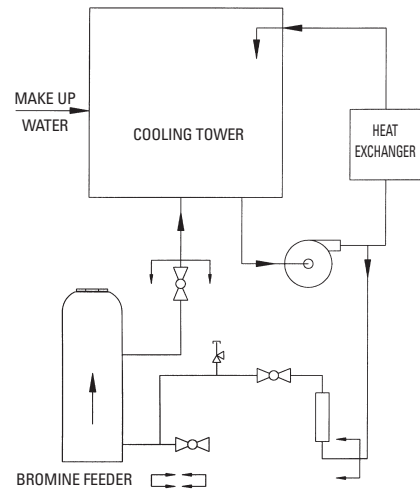
FUNNELS

Polyethylene funnels are available in two sizes to fit the 2-1/2" (63.5 mm) or 3-3/4" (95.3 mm) top opening of the bromine feeder body. A third funnel is offered which screws onto 5-gallon plastic pails.

PART NO	FITS MODELS	DIMENSIONS INCHES (MM)		
		A	B	C
106894	BT-40	2-3/8 (60.3)	7-1/2 (190.5)	9-1/2 (241.3)
106807	All except BT-40	3-1/2 (88.9)	7 (177.8)	11-1/2 (292.1)



BROMINE FEEDER INSTALLATION



DUAL SIZE CLOSURE WRENCH

Glass filled polypropylene wrench fits both 2-1/2" (63.5 mm) and 4" (101.6 mm) closures. Part number 107282.





PSG
22069 Van Buren Street
Grand Terrace
CA, 92313-5651
USA
P: +1 (909) 422-1700
F: +1 (909) 783-3440
psgdover.com/neptune



Where Innovation Flows

BRO-19
NPT-10001-F-03

Authorized PSG® Partner:

Copyright 2021 PSG®, a Dover company



Missouri Filter & Process Equipment Co
MOFILCO-Quality, Value, Service
12025 Manchester Road, Suite 30G
St Louis MO 63131

314-821-4321 www.mofilco.com
mofilco@mofilco.com