

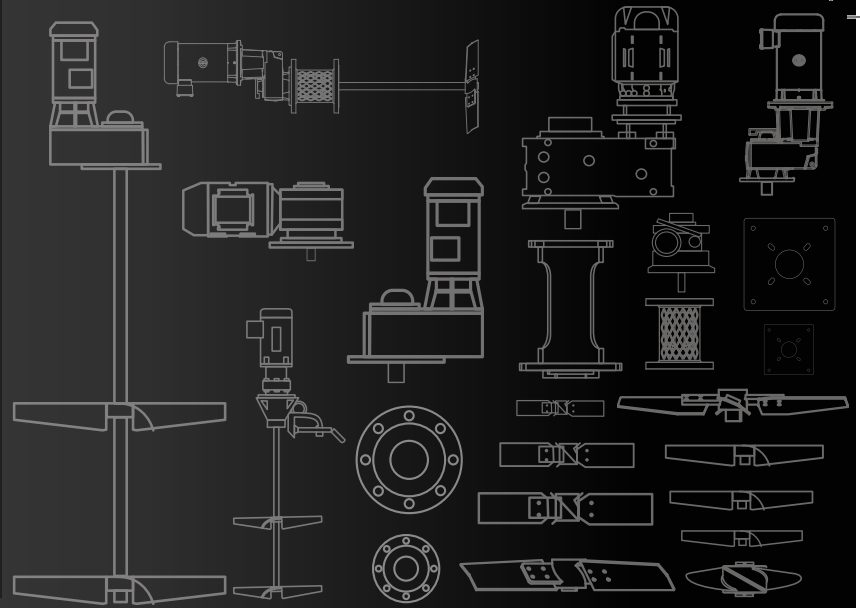


SMX SERIES SIDE ENTRY MIXERS PREMIUM, STANDARD & BELT- DRIVEN MODELS

At Dynamix, we provide you with a **solution**, not just a mixer.



Missouri Filter & Process Equipment Co
MOFILCO-Quality, Value, Service
12025 Manchester Road, Suite 30G
St Louis MO 63131
314-821-4321 www.mofilco.com
mofilco@mofilco.com



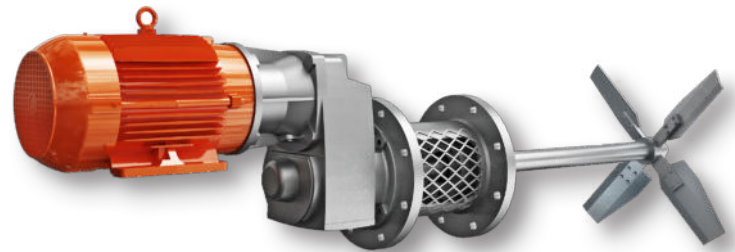
SMX SERIES SIDE ENTRY MIXERS

The SMX Side Entry Mixers are your best solution for large storage tanks, basins or where top entry mixers are not practical. Suitable for 5,000 to 1,000,000 gallon tanks, the SMX can be configured to suit heavy industry in any environment.



Tank shut-off technology provides clean and efficient seal or drive maintenance without draining or entering the tank.

Gear Drive

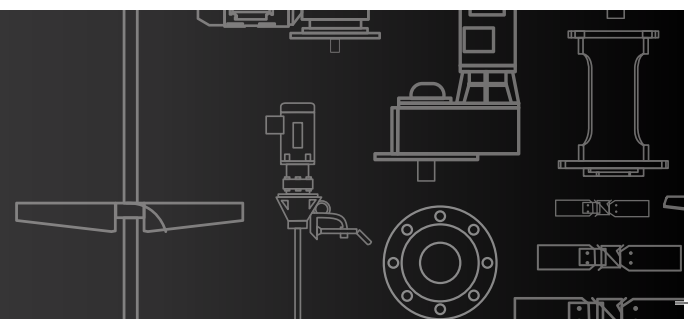


Belt Drive



WHY DYNAMIX?

- ✓ **PROVEN EXPERIENCE** Over 45 years of process engineering experience.
- ✓ **WIDE RANGE OF MIXERS** From 0.25 hp to 500 hp Industrial Agitators.
- ✓ **TRUSTED BY LEADING GLOBAL COMPANIES**
1000's of new installations every year.



SMX Features

Configurable options available

Premium models feature a shut-off technology which allows for ease of maintenance without draining your tank. The SMX is available in a wide range of power from 5 hp to 60 hp and a mixer speed from 365 to 405 RPM.

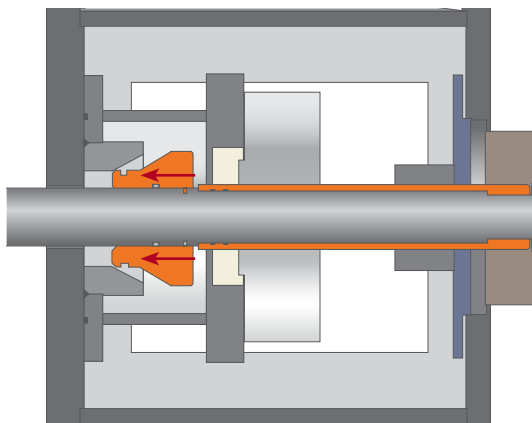
SMX Mixer Options

DRIVE	Electric Gear Drive, Belt Drive
MOUNTING	Flange Mount
IMPELLER	Ranges 16" - 32" Diameter high efficiency Dynaflow™ or P3B hybrid impeller

MODEL	STANDARD	PREMIUM		PREMIUM			CUSTOM
	SMX 1 STD	SMX 1 PRE	SMX 3	SMX 4	SMX 5	SMX 6	
MAX MOTOR POWER	5	5	10	20	30	60	>60
MIXER SPEED (RPM)	365	365	391	372	405	399	CALL FOR INFO
MINIMUM BEARING L-10- LIFE	>100,000 h	>100,000 h	>100,000 h	>100,000 h	>100,000 h	>100,000 h	>100,000 h
SHAFT DIAMETER	1.5	1.5	2.0	2.5	3.0	3.0	3.0
SHUT-OFF SYSTEM	N/A	YES	YES	YES	YES	YES	YES
MECHANICAL SEAL	YES	YES	YES	YES	YES	YES	YES
FLANGE MOUNT (from)	6"-150 lb	6"-150 lb	8"-150 lb	10" -150 lb	12"-150 lb	12"-150 lb	CALL FOR INFO

Shut-Off System

ALLOWS FOR EFFICIENT SCHEDULED MAINTENANCE



SHOWN HERE WITH 1 OF 2 SHUTOFF DESIGN OPTIONS AVAILABLE ON PREMIUM MODELS: SMX 1, 3, 4, 5 AND 6

Impeller Options

DYNAFLOW AND P3B IMPELLERS AVAILABLE



HIGH EFFICIENCY 4 BLADES DYNAFLOW™



P3B IMPELLER - MODIFIED PITCHED 3 BLADE

HOW TO GET STARTED

Contact our sales team directly at 1-866-563-2448 to request a quote and find out how we can optimize the quality of your application results.

TEL: 1-866-563-2448

EMAIL: info@dynamixinc.com

DYNAMIX AGITATORS

www.dynamixinc.com

